

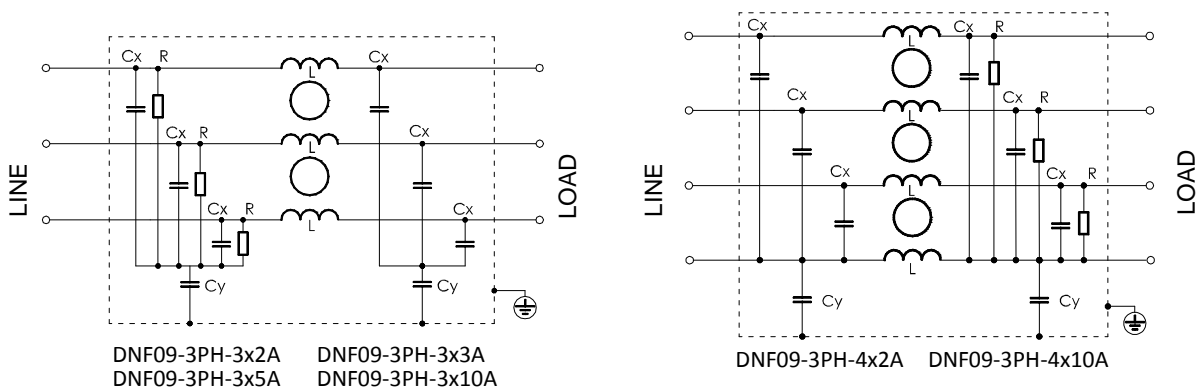
1 Features

- High performance
- Excellent characteristics of electromagnetic interference suppression
- Customization accepted

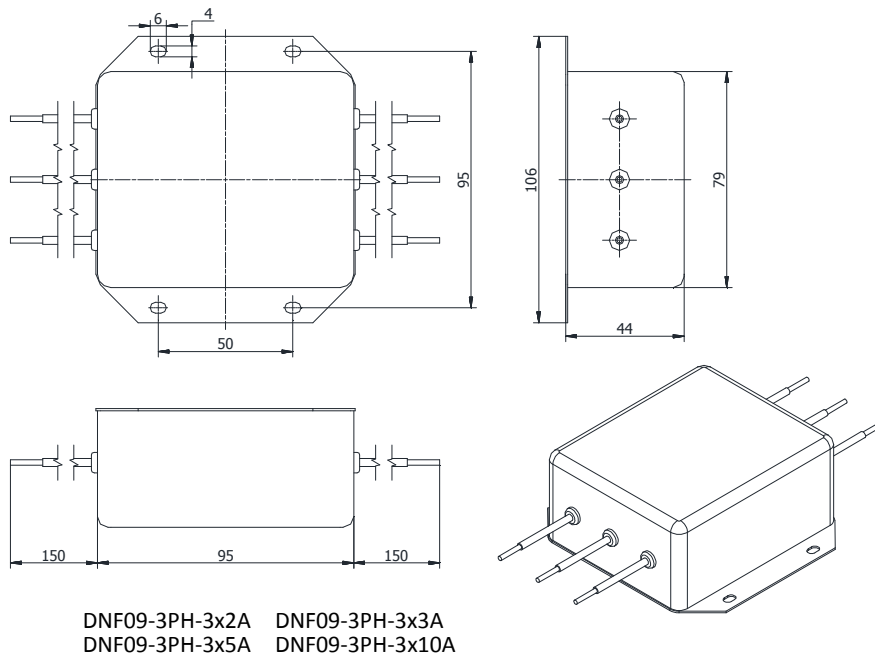
2 Technical Data

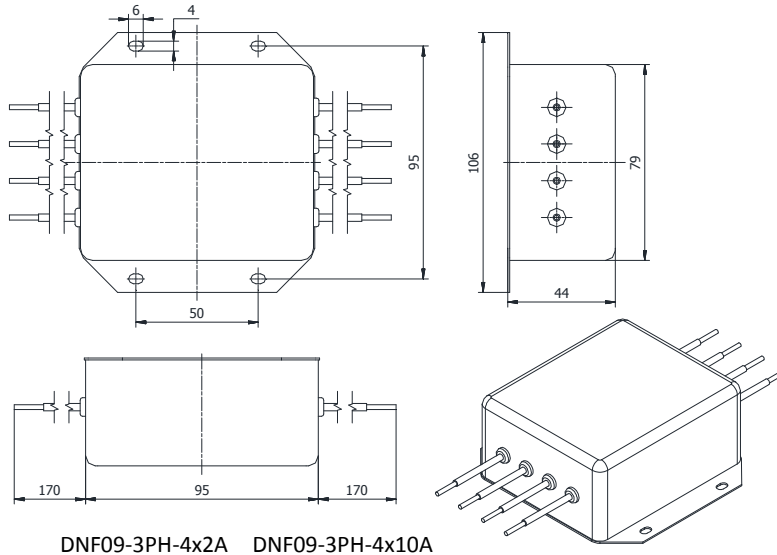
Type	Rated Voltage	Rated Current	Hi-Pot Test Voltage		Cx(μF) ± 10%	Cy(nF) ± 20%	L(mH) -30%~+50%	R(MΩ) ± 10%	Leakage Current 250V~50Hz
			Line-Line	Line-Ground					
DNF09-3PH-3x2A	440V-50/60Hz	2A	1800VDC,2s	1800V-50/60Hz,2s	1.0	4.7	14.0	0.68	<1.5mA
DNF09-3PH-3x3A	440V-50/60Hz	3A	1800VDC,2s	1800V-50/60Hz,2s	1.0	4.7	12.0	0.68	<1.5mA
DNF09-3PH-3x5A	440V-50/60Hz	5A	1800VDC,2s	1800V-50/60Hz,2s	1.0	4.7	4.0	1.0	<1.5mA
DNF09-3PH-3x10A	440V-50/60Hz	10A	1800VDC,2s	1800V-50/60Hz,2s	1.0	4.7	1.8	1.0	<2.0mA
DNF09-3PH-4x2A	440V-50/60Hz	2A	1800VDC,2s	1800V-50/60Hz,2s	1.0	4.7	16.0	0.68	<2.0mA
DNF09-3PH-4x10A	440V-50/60Hz	10A	1800VDC,2s	1800V-50/60Hz,2s	1.0	4.7	1.5	1.0	<2.0mA

3 Electrical Schematic

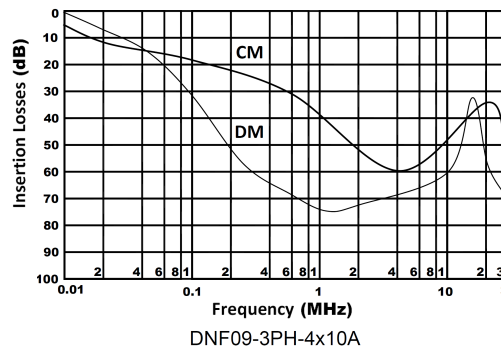
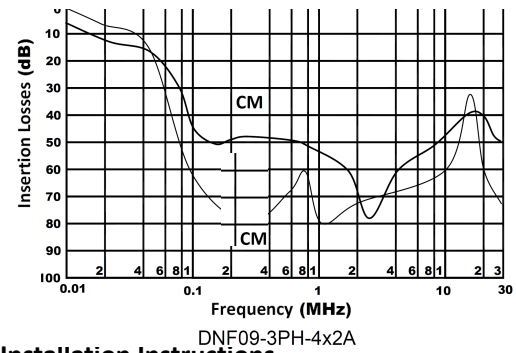
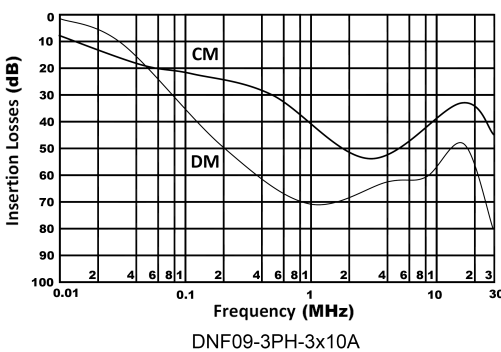
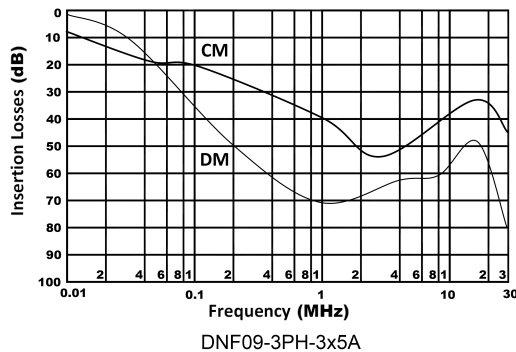
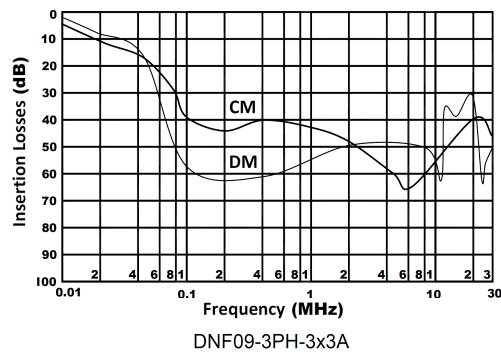
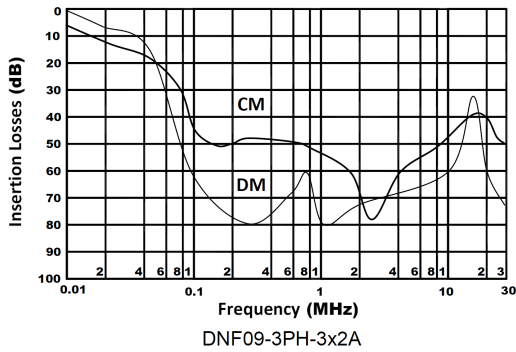


4 Dimensions (Unit:mm)





5 Typical Insertion Losses In 50Ω System: (CM-Common Insertion Losses DM-Different Insertion Losses)



6 Installation Instructions

- 1) Good electrical connection is needed between filter casing and equipment shell.
- 2) Connecting the filter's input and output according to the provision on the label of LINE and LOAD.
- 3) The input wiring and the output wiring should be strictly separated, cannot be bundled together.