

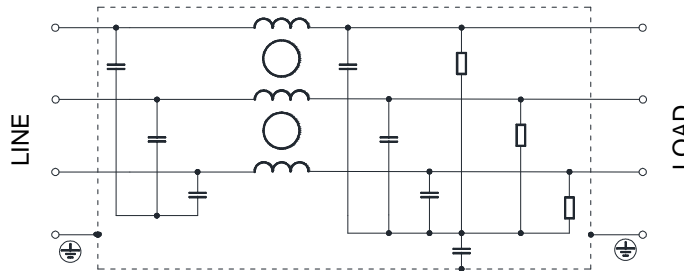
1 Features

- Excellent insertion losses with large range of rated current, maximum to 1600A
- Widely used in New energy source, Power electronics and Rail transportation industry
- Customized for large current requirements, such as 3200A EMI filter

2 Technical Data

Max Operating Voltage		3×520/480/300VAC	50/60Hz
Rated Current		10~1600A	
Test Voltage		Line--Line 2250VDC, 2s	
		Line--Ground 2750VDC, 2s	
Overload Capacity	3 min/h	1.5×I _R	
	30 sec/h	2.5×I _R	
IEC Climate Category (IEC60068-1)		25/100/21	
Certification		CE	

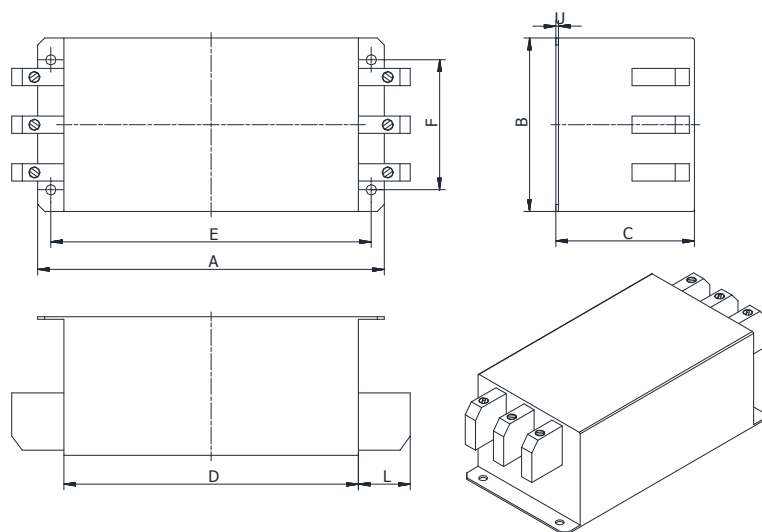
3 Electrical Schematic



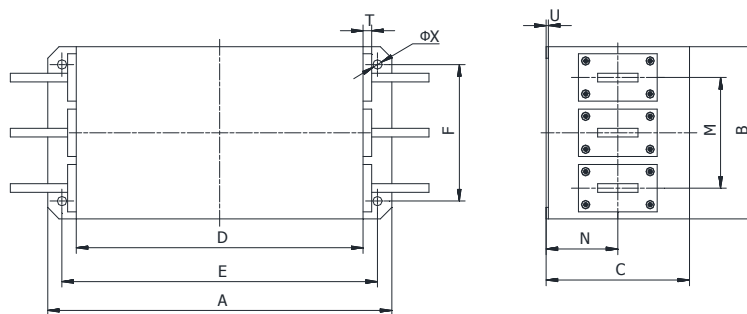
4 Filter series table

Type	Rated Current	Input/output Terminal		Weight (Kg)
DNF150-Y-10A	10A	01		≤0.4
DNF150-Y-20A	20A	01		≤0.5
DNF150-Y-35A	35A	02		≤0.7
DNF150-Y-50A	50A	03		≤1.2
DNF150-Y-65A	65A	03		≤1.3
DNF150-Y-80A	80A	04		≤2.2
DNF150-Y-100A	100A	04		≤2.6
DNF150-Y-150A	150A		√	≤6.1
DNF150-Y-200A	200A		√	≤6.1
DNF150-Y-250A	250A		√	≤7.2
DNF150-Y-320A	320A		√	≤7.2
DNF150-Y-400A	400A		√	≤7.7
DNF150-Y-600A	600A		√	≤9.7
DNF150-Y-800A	800A		√	≤19.8
DNF150-Y-1000A	1000A		√	≤19.8
DNF150-Y-1600A	1600A		√	≤24.5
DNF150B-Y-180A	180A		√	≤4.9
DNF150B-Y-250A	250A		√	≤5.0
DNF150B-Y-320A	320A		√	≤7.8
DNF150B-Y-400A	400A		√	≤7.8
DNF150B-Y-600A	600A		√	≤7.9
DNF150B-Y-1000A	1000A		√	≤19.8
DNF150B-Y-1600A	1600A		√	≤24.5

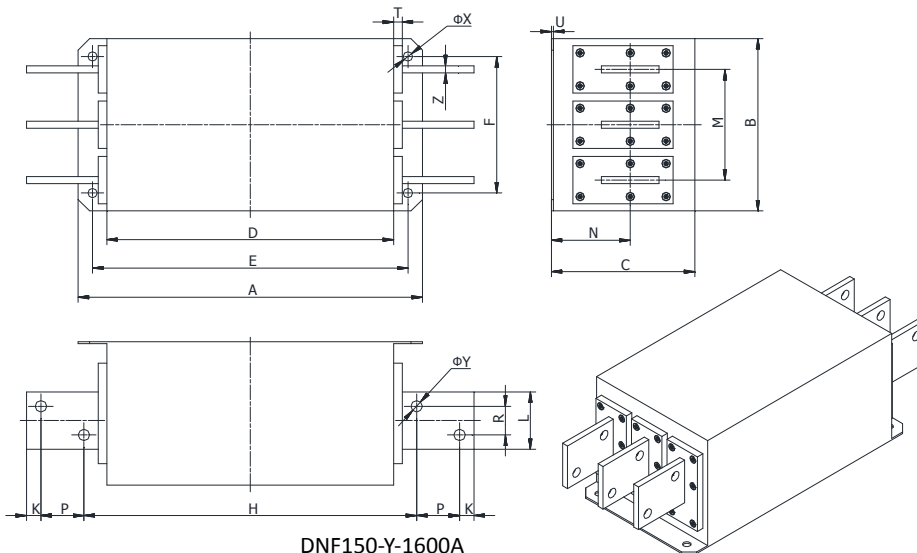
5 Installment Drawing



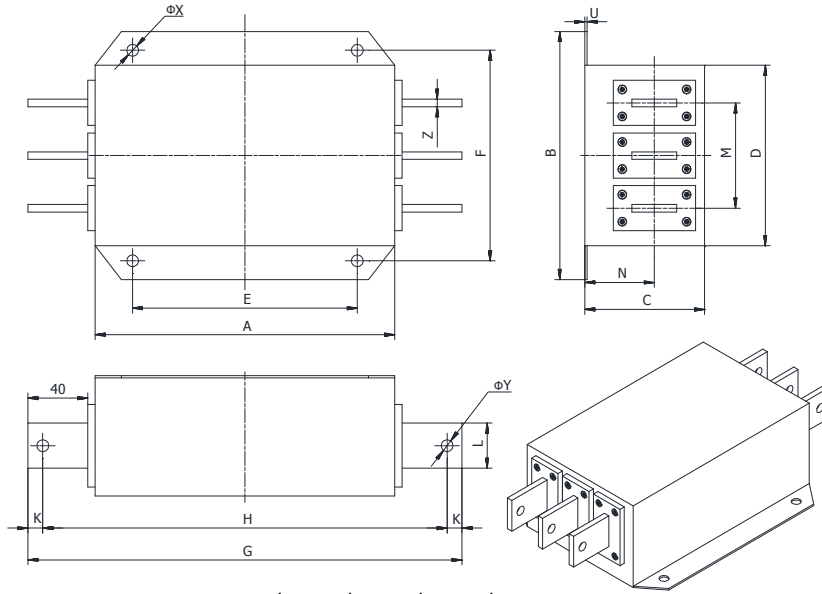
DNF150-Y-10A / 20A / 35A / 50A / 65A / 80A / 100A



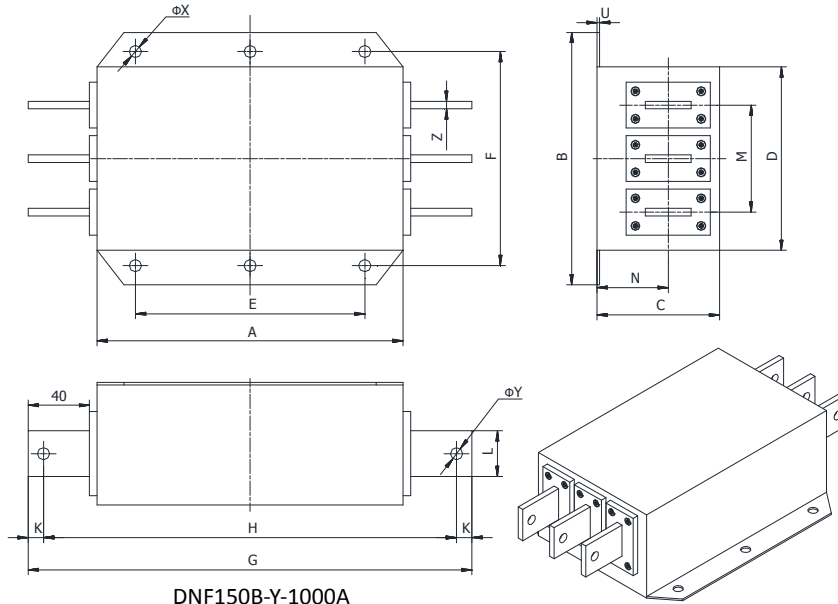
DNF150-Y-150A / 200A / 250A / 320A / 400A / 600A / 800A



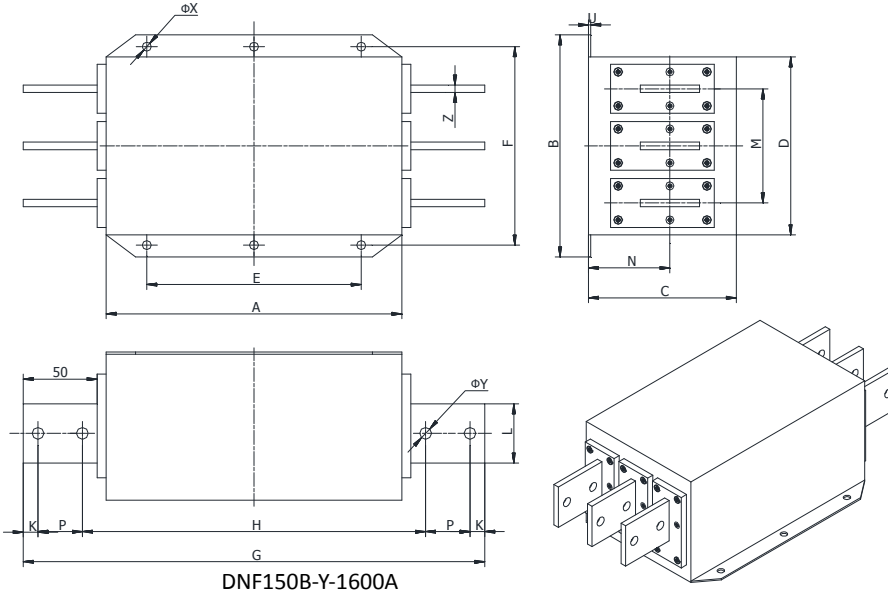
DNF150-Y-1600A



DNF150B-Y-180A / 250A / 320A / 400A / 600A



DNF150B-Y-1000A



DNF150B-Y-1600A

6 Dimensions (Unit: mm)

DNF150 Series	10A	20A	35A	50A	65A	80A	100A	150A	200A	250A	320A	400A	600A	800A	1000A	1600A
A	150	150	160	170	170	200	230	300	300	300	300	300	300	370	370	370
B	58	58	70	85	85	95	95	200	200	200	200	200	200	190	190	190
C	58	58	68	80	80	90	90	86	86	86	86	86	86	140	140	150
D	120	120	130	140	140	170	200	240	240	240	240	240	240	310	310	310
E	132.5		142.5	152.5	152.5	182.5	212.5	275	275	275	275	275	275	345	345	345
F	42	42	50	65	65	75	75	165	165	165	165	165	165	155	155	155
G								320	320	320	320	320	320	410	410	510
H								300	300	300	295	295	295	370	370	390
J								40	40	40	40	40	40	50	50	100
K								10	10	10	125	125	125	20	20	17
L	15	15	18	30	30	35	35	20	20	20	25	25	25	40	40	60
M								120	120	120	120	120	120	120	120	120
N								37	37	37	37	37	37	67	67	80
P																43
R																26
T								3	3	3	3	3	3	3	3	5
U	1.0	1.0	1.0	1.0	1.0	1.5	1.5	2	2	2	2	2	2	2.5	2.5	2.5
X	Φ5	Φ5	Φ6	Φ6	Φ6	Φ6	Φ6	Φ11	Φ11	Φ11	Φ11	Φ11	Φ11	Φ11	Φ11	Φ11
Y								Φ9	Φ9	Φ9	11	Φ11	Φ11	Φ14	Φ14	Φ14
Z								3	3	3	6	6	8	8	8	10

DNF150B Series	180A	250A	320A	400A	600A	1000A	1600A
A	200	200	230	230	230	300	300
B	170	170	190	190	190	260	260
C	116	116	120	120	120	145	150
D	140	140	140	140	140	210	210
E	145	145	170	170	170	240	240
F	155	155	165	165	165	235	235
G	270	270	320	320	320	410	490
H	250	250	290	290	290	370	370
J	30	30	40	40	40	40	90
K	10	10	15	15	15	20	20
L	20	20	25	25	30	40	50
M	90	90	90	90	90	142	142
N	76	76	78	78	78	90	90
P							40
T	3	3	3	3	4	4	5
U	2	2	2	2	2	2.5	2.5
X	Φ7	Φ7	Φ12	Φ12	Φ12	Φ12	Φ12
Y	Φ9	Φ9	Φ11	Φ11	Φ11	Φ14	Φ14
Z	3	3	5	5	5	8	10

7 Input/Output Terminal

	02 Terminal (-10)	03 Terminal (-25)	04 Terminal (-50)	01 Terminal (-4)
Max install cross section	16mm ²	35mm ²	50mm ²	6mm ²
Max wire type	AWG 6	AWG 3	AWG 1/0	AWG 10
Install torque	1.7Nm	3.9Nm	5.9Nm	0.6Nm

8 Installation Instructions

- 1) Good electrical connection is needed between filter casing and equipment shell.
- 2) Connecting the filter's input and output according to the provision on the label of LINE and LOAD.
- 3) The input wiring and the output wiring should be strictly separated, cannot be bundled together.