

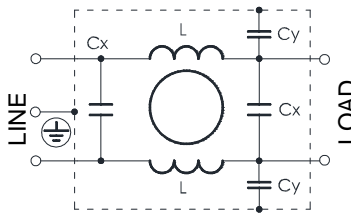
1 Features

- Compact, easy to install
- Connection ways can be selected between wire and fasten connector
- CE approved
- Customization accepted

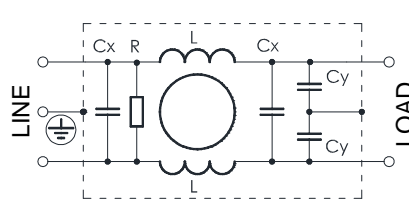
2 Technical Data

Type	Rated Voltage	Rated Current	Hi-Pot Test Voltage		Cx(μF) ±10%	Cy(nF) ±20%	L(mH) -30%~+50%	R(MΩ) ±10%	Leakage Current 250V~50Hz
			Line-Line	Line-Ground					
PNF223-G-1A	250V-50/60Hz	1A	1800VDC,2s	1800V-50/60Hz,2s	0.1	3.3	4.0	/	<0.75mA
PNF223-G-3A	250V-50/60Hz	3A	1800VDC,2s	1800V-50/60Hz,2s	0.1	3.3	2.0	0.68	<0.75mA
PNF223-G-6A	250V-50/60Hz	6A	1800VDC,2s	1800V-50/60Hz,2s	0.1	3.3	0.8	0.68	<0.75mA
PNF223-G-10A	250V-50/60Hz	10A	1800VDC,2s	1800V-50/60Hz,2s	0.1	3.3	0.8	1.0	<0.75mA
PNF223-G-1A(B)	250V-50/60Hz	1A	1800VDC,2s	1800V-50/60Hz,2s	0.1	3.3	3.0	1.0	<0.75mA
PNF223-G-3A(B)	250V-50/60Hz	3A	1800VDC,2s	1800V-50/60Hz,2s	0.1	3.3	1.2	1.0	<0.75mA
PNF223-G-6A(B)	250V-50/60Hz	6A	1800VDC,2s	1800V-50/60Hz,2s	0.1	3.3	0.8	0.68	<0.75mA
PNF223-G-10A(B)	250V-50/60Hz	10A	1800VDC,2s	1800V-50/60Hz,2s	0.1	3.3	0.3	1.0	<0.75mA

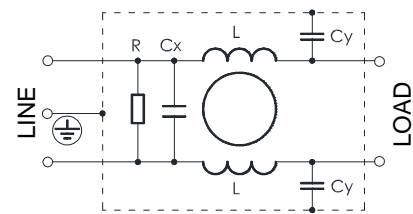
3 Electrical Schematic



PNF223-G-1A

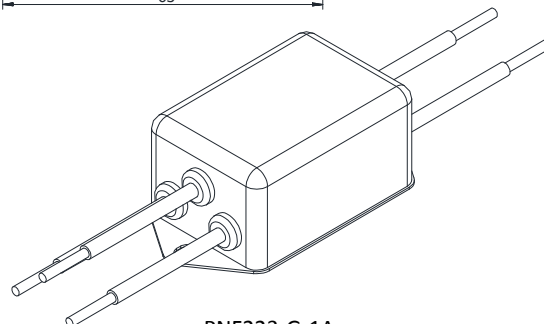
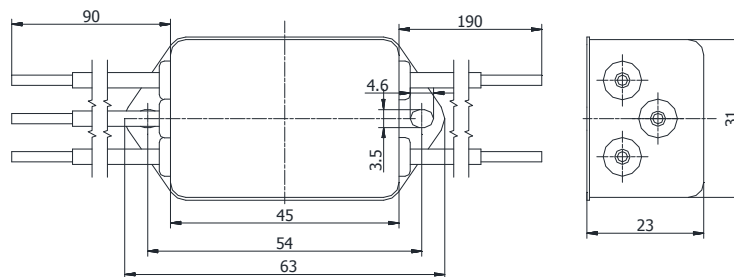


PNF223-G-3A PNF223-G-6A
PNF223-G-10A

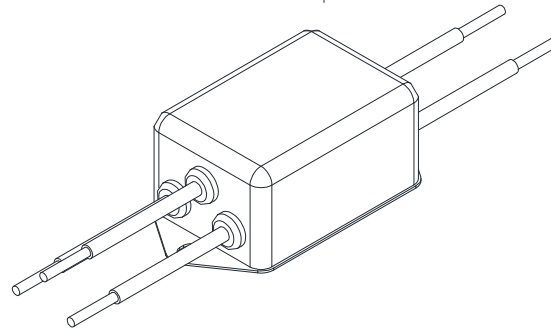
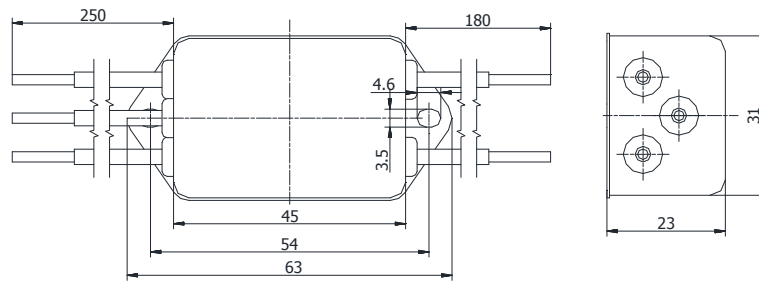


PNF223-G-1A(B) PNF223-G-3A(B)
PNF223-G-6A(B) PNF223-G-10A(B)

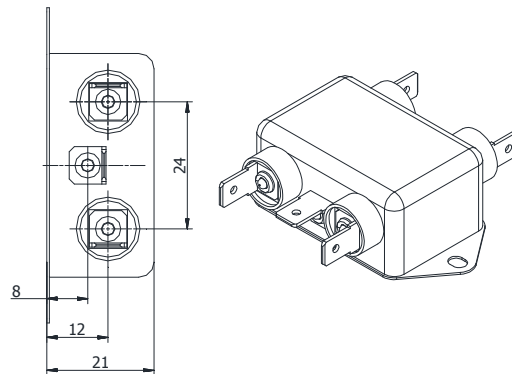
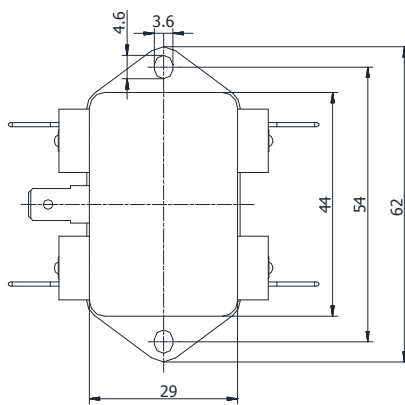
4 Dimensions (Unit:mm)



PNF223-G-1A

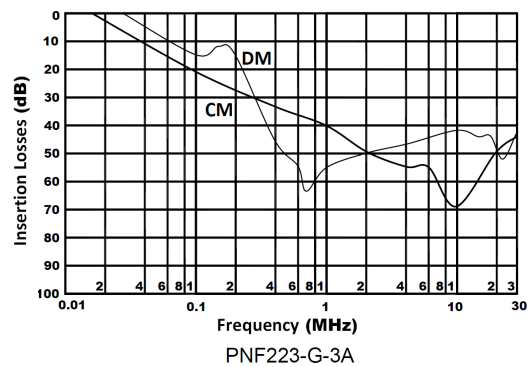
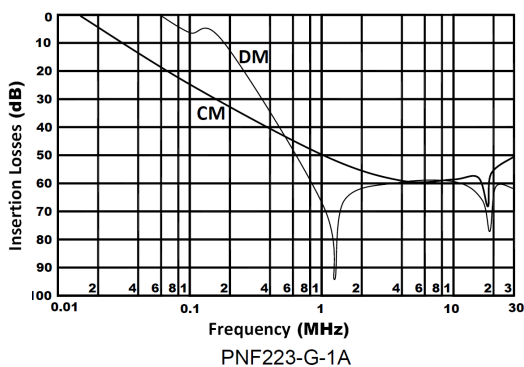


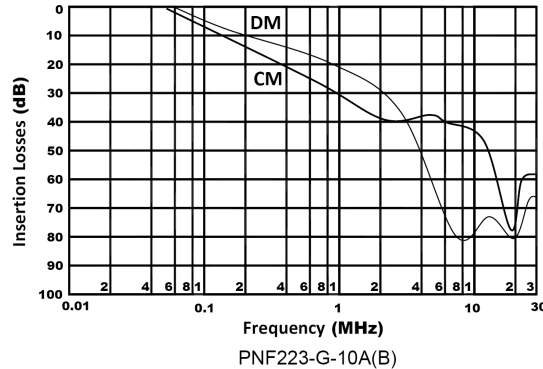
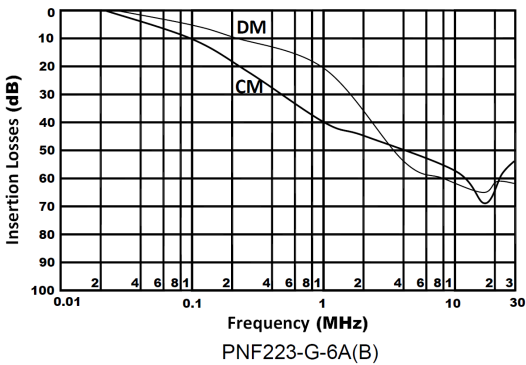
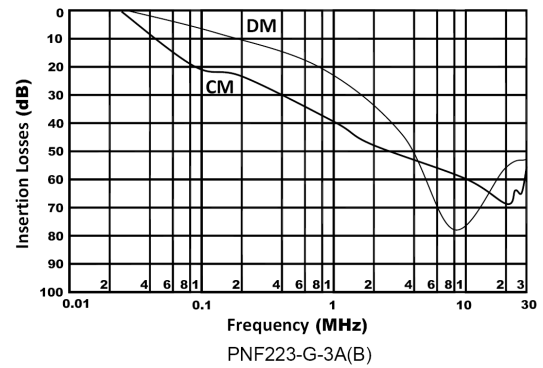
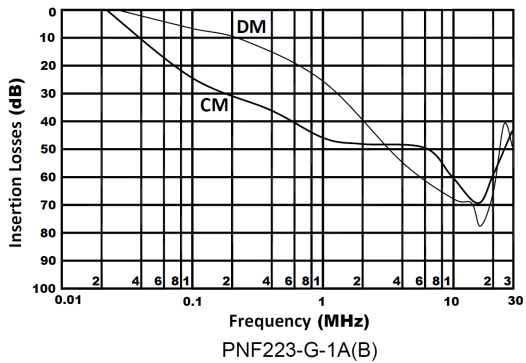
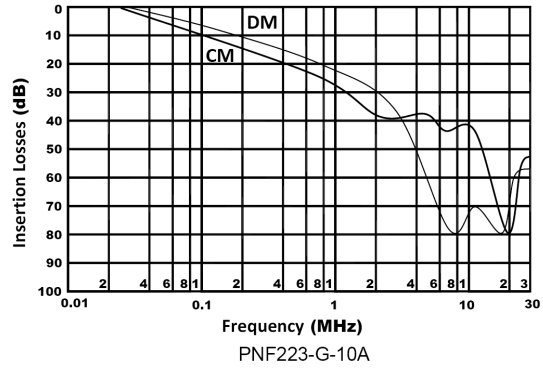
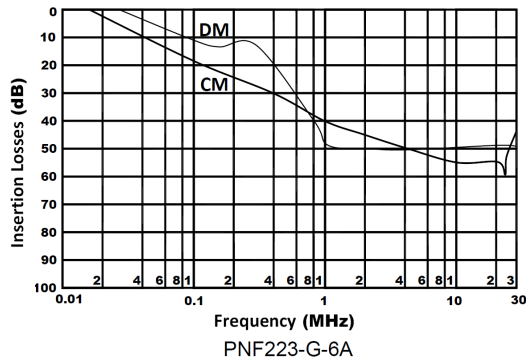
PNF223-G-3A PNF223-G-6A PNF223-G-10A



PNF223-G-1A(B) PNF223-G-3A(B)
PNF223-G-6A(B) PNF223-G-10(B)

5 Typical Insertion Losses In 50Ω System: (CM-Common Mode DM-Different Mode)





6 Installation Instructions

- 1) Good electrical connection is needed between filter casing and equipment shell.
- 2) Connecting the filter's input and output according to the provision on the label of LINE and LOAD.
- 3) The input wiring and the output wiring should be strictly separated, cannot be bundled together.